



LIMITED WARRANTY

This product is guaranteed to be free of manufacturing defects in the plastic, steel and or aluminum materials for as long as the original purchaser owns the device limited by the following:

PLASTIC — Product is UV stabilized, but sun bleaching may occur. This is considered normal wear and is not covered under this Warranty. Reductions in shine or gloss, scratching, chipping or staining are specifically not covered, and are indicative of normal wear and tear.

STEEL — All steel components are zinc coated for rust resistance. Due to atmospheric or water conditions, some rust may appear. This is considered normal wear and tear and not covered by this Warranty. Bolt on knob is a thermal black oxide which may exhibit a surface rust. A dab of corn oil placed on bolt head and tail will prevent this, surface rust will not pose a problem.

CARPET — The carpet used on this product are either marine grade, or indoor outdoor carpet suitable for deck and pool use, and are mildew and mold resistant. All carpet has been UV stabilized. No Warranty is offered on the carpet. Replacement carpet is available; please call our customer hotline at 815-765-1957 for prices.

ALUMINUM — Powder coating is warranted against manufacturing defects. Normal wear and tear may result in chipping off the powder coating and is not warranted. It will not hurt the aluminum underneath. A black marker can be used for touch up or a black paint for aluminum products may be used.

WHEELS — The caster wheels are an option which are not covered by manufacture Warranty. The wheels are meant for rolling product and will not withstand additional weight, such as sitting on the product.

Implied warranties, including that of merchantability or fitness for a particular purpose are expressly limited by the terms of this written Warranty. A'Wego Enterprises Inc., disclaims any liability for special, incidental, or consequential damages sustained by any individual or animal as a result of using this product.

Please note that some states/provinces do not allow limitations on how long an implied Warranty lasts or the exclusion or limitation of special, incidental or consequential damages, so these limitations and exclusions may not apply to you. This Warranty gives you specific rights. You may also have other rights which vary from state/province to state/province.

This Warranty is specifically offered to the original purchaser only, and a sales receipt/proof of purchase must be provided to A'Wego Enterprises, Inc. with all Warranty claims.

A'Wego Enterprises, Inc. will, at its election, repair, replace or make appropriate adjustment if a defect is found in normal residential use. In no event shall A'Wego Enterprises, Inc. have liability that exceeds the purchase price of the product.

Damage caused during misuse, abuse, or accident is not covered by this Warranty. Improper care and cleaning will void this Warranty. Running over this product with a vehicle will void all Warranty claims. This product is specifically intended for use by PETS ONLY (250 pounds or less). Use by humans is specifically disclaimed and not recommended.

If you are not completely satisfied with this product, return it to A'Wego Enterprises, Inc. within 30 (thirty) days of purchase with receipt/proof of purchase for a full refund of your purchase price minus shipping and handling charges. Returns beyond the 30 day limit will incur a stocking fee. Returns after 60 days of purchase will not be refunded.

A'Wego Enterprises, Inc. will not Warranty conditions and damages resulting from any of the following:

- A. Improper installation, delivery or maintenance.
- B. Any repair, modification, alteration or adjustment not authorized by the manufacturer.
- C. Misuse, abuse or unreasonable use.
- D. Failure due to improper setting of latch lock.

This Warranty is null and void if the original serial numbers have been removed, altered or cannot be determined.

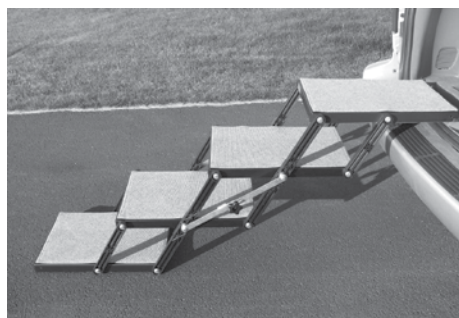
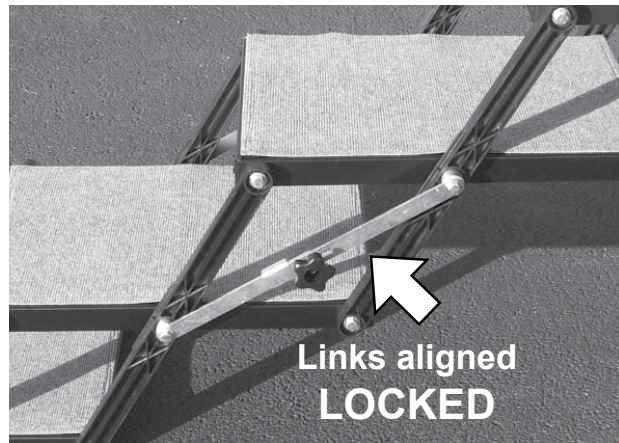
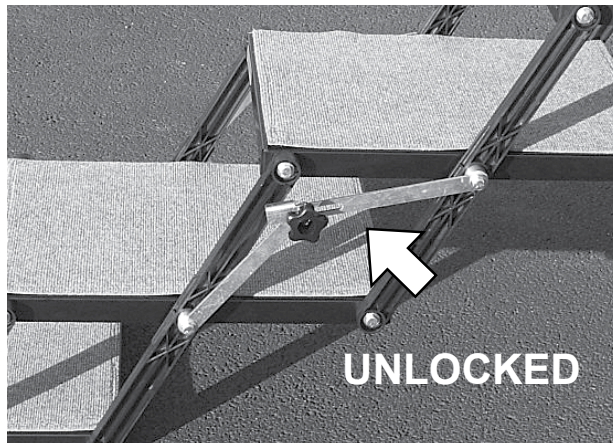
A'Wego Enterprises, Inc. reserves the right to make changes of parts and materials of Pet Loader.

Never leave this device unattended. Secure pet during use. Do not overload the device (250 pound limit). Do not alter device. NOT INTENDED FOR USE BY HUMANS.



PET LOADER OPERATING INSTRUCTIONS

Remove Pet Loader unit from package and set on ground with carpeted side up. Extend Pet Loader to full open. This will align the latches on both sides. The top bar will rest on the lower steel bar. You may now adjust Pet Loader to the height you need.



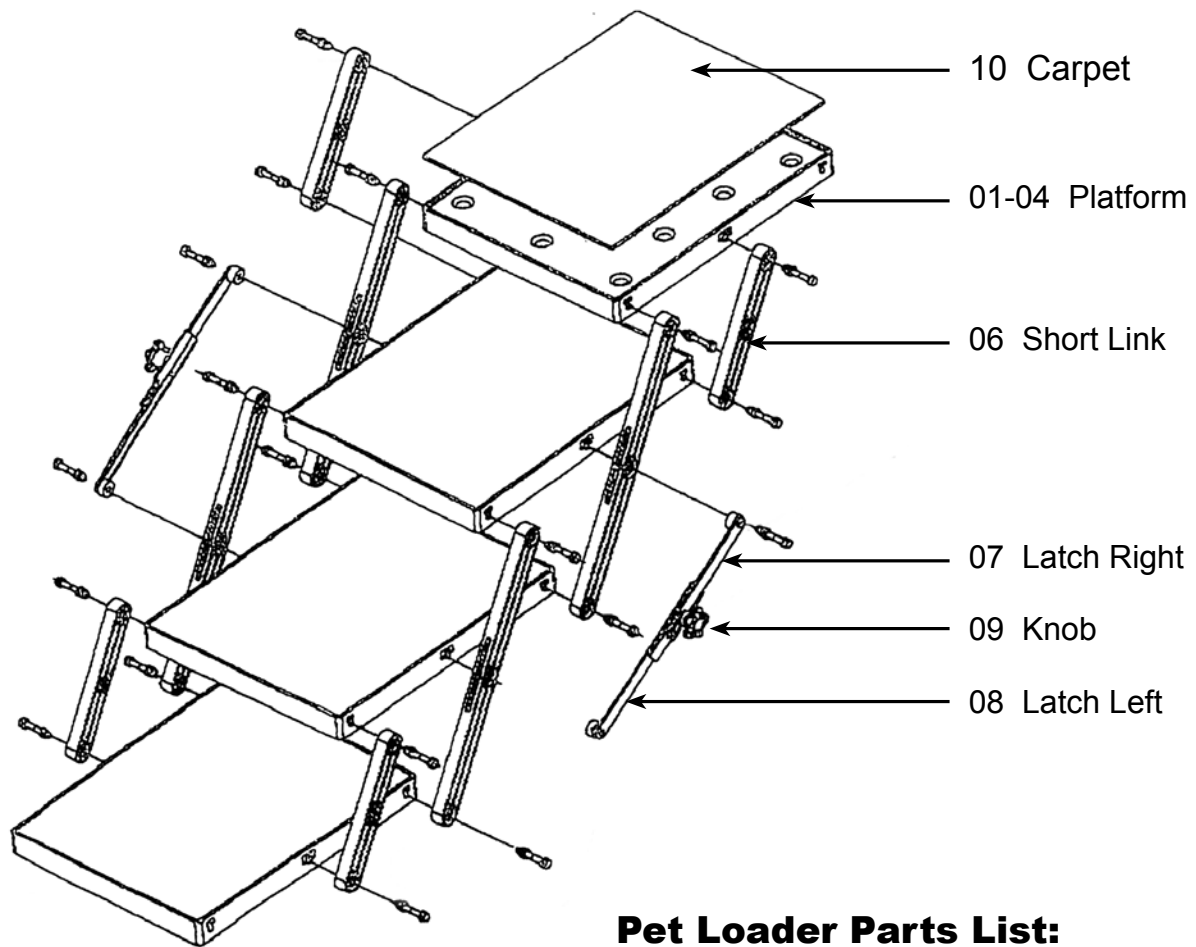
Position unit so that the top step rests on surface of tailgate, car seat, table etc. Latch links should be aligned in LOCK position. Push down on turn knob to align if necessary. Upper tab should rest on lower bar. Tighten hand knobs. Knobs are restricted to minimal travel, half of a turn should suffice.

To fold Pet Loader, simply twist knobs to loosen, lift on hand knobs to separate bars. Then fold closed to storage position.





PET LOADER PARTS LIST



Pet Loader Parts List:

- 01 Platform 18 inch (ABS)
- 02 Platform 16 inch (Poly Carbonate)
- 03 Platform 14.5 inch (Aluminum)
- 04 Platform 12 inch (Aluminum)
- 05 Long Link
- 06 Short Link
- 07 Latch Right
- 08 Latch Left
- 09 Knob
- 10 Carpet